

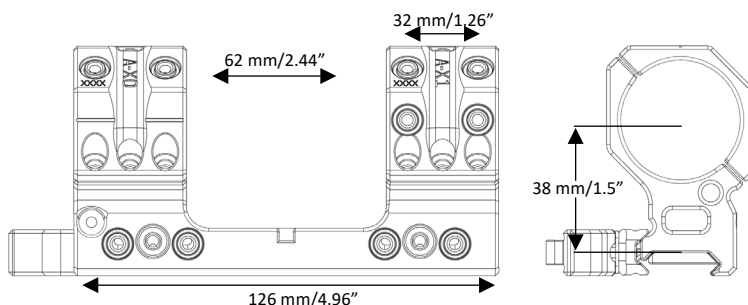


QDP-3002

Scope Mount \varnothing 30 H38mm/1.5" 0MIL QDP

Quick detachable mount for use with NV Equipment

Rings: 30 mm
Tilt: 0 MIL/MOA
Height: 38 mm/1.5"
Length: 126 mm/4.96"
Weight: 270 g/9.5 oz
Interfaces: 8 sets
EAN: 7340150705145



The **IDEAL SCOPE MOUNT SYSTEM** series of mounts feature **seven set of interfaces to attach any of more than 40 different accessories** and has a bubble level integrated in the rear plane of the mount body to prevent canting of the rifle. The rings are diagonally cut for increased visibility of the elevation and windage turrets (US Patent 8,733,011).

The mounts are machined from billet 7000 series aluminum and all aluminum parts are hardcoat anodized. The Torx 20 ring screws are zinc-nickel coated for corrosion resistance and come pre-waxed from the factory to ensure proper torque values. The levers can be adjusted for tension.

The mount is shipped with a manual and a "wedge" leveling key.

NOTE:

The QDP-3002 is a quick detachable version of the SP-3002, designed for use with 56 mm objectives on rifles with MIL-STD-1913 or STANAG 4694 rails, and is especially suitable for extended Picatinny rails combined with night vision equipment. The QDP-3002 will fit most 30 mm scope tubes except for scopes with extended erector housings, such as the US Optics TPAL/EREK.

CONTACT

Spuhr i Dalby AB

Phone: +46 46 712 012

Web: www.spuhr.com

Address: Terminalvägen 19
SE-246 42 Löddeköpinge
Sweden